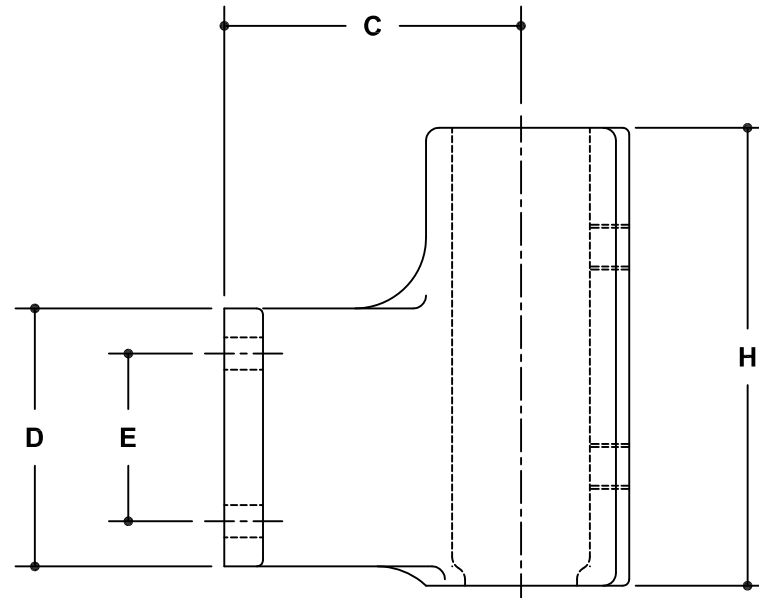
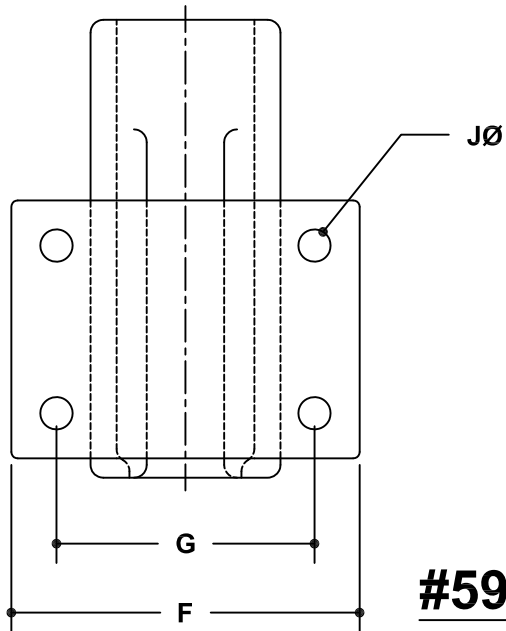
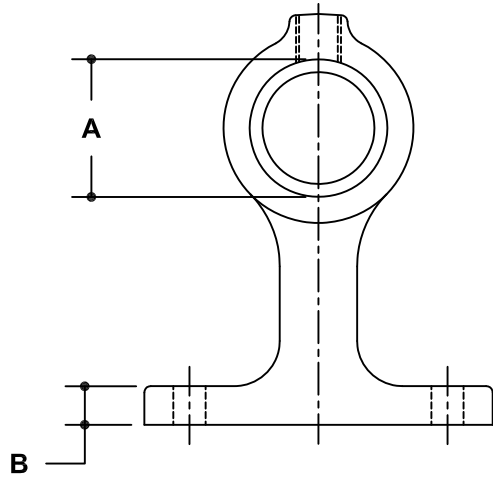


NOTE: DIMENSIONS LOCATED IN BOXES ARE COMMON
SETBACK DIMENSIONS FOR EACH FITTING



#59-6 Offset Flange

SCALE: HALF

ENGLISH UNITS (Inches)										
PIPE SIZE	A	B	C	D	E	F	G	H	J	K
1"	1.34	0.38	2.88	2.50	1.63	3.38	2.50	4.43	0.31	

METRIC UNITS (mm)										
PIPE SIZE	A	B	C	D	E	F	G	H	J	K
1"	34	10	73	64	41	86	64	113	8	