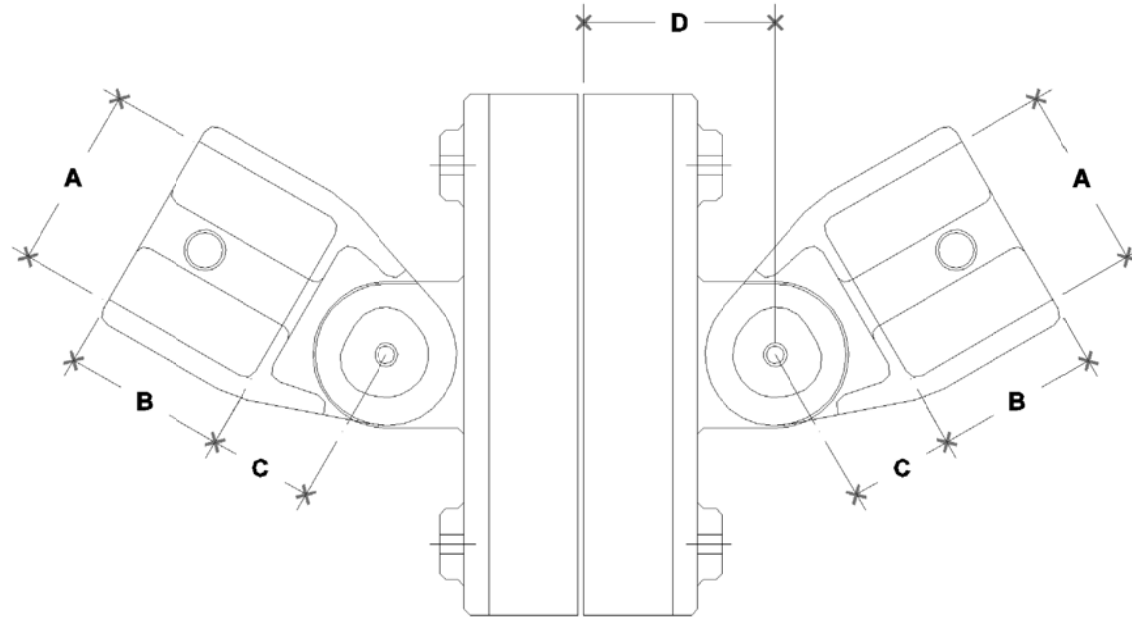


NOTE: DIMENSIONS LOCATED IN BOXES ARE COMMON
SETBACK DIMENSIONS FOR EACH FITTING



#1900 Mend-A-Rail Adjustable Cross

SCALE: HALF

ENGLISH UNITS (Inches)							
PIPE SIZE	A	B	C	D	E	F	G
2"	-	-	-	-	-	-	-
1½"	1.93	1.75	1.11	2	-	-	-
1¼"	-	-	-	-	-	-	-
1"	-	-	-	-	-	-	-
¾"	-	-	-	-	-	-	-

METRIC UNITS (mm)							
PIPE SIZE	A	B	C	D	E	F	G
2"	-	-	-	-	-	-	-
1½"	49	44	28	51	-	-	-
1¼"	-	-	-	-	-	-	-
1"	-	-	-	-	-	-	-
¾"	-	-	-	-	-	-	-