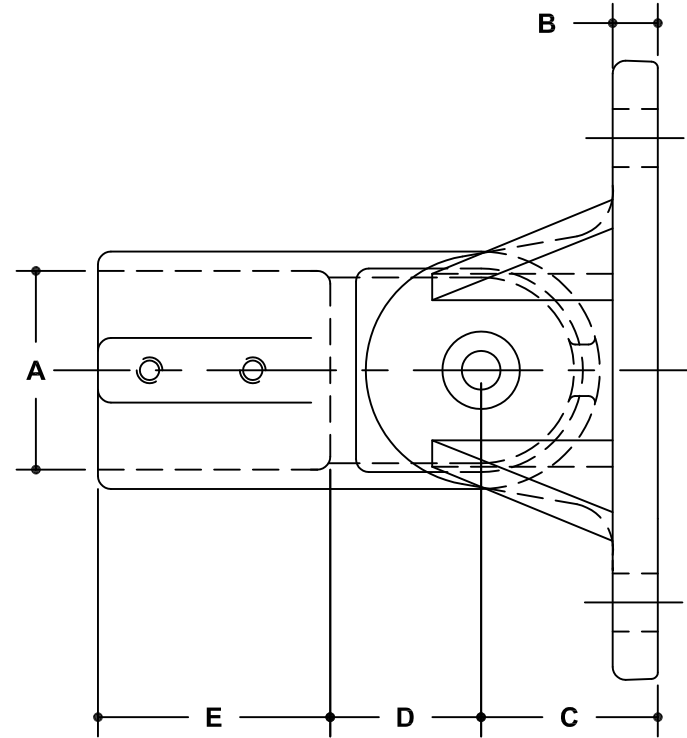
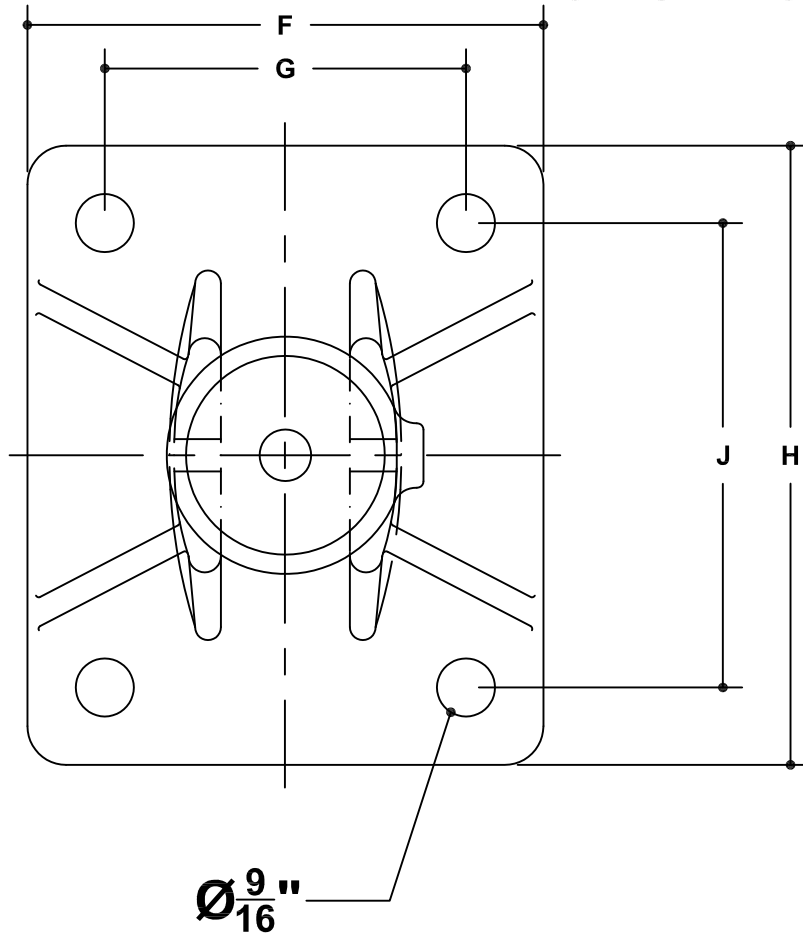


NOTE: DIMENSIONS LOCATED IN BOXES ARE COMMON
SETBACK DIMENSIONS FOR EACH FITTING



#46AHD Adjustable Flange

ENGLISH UNITS (Inches)									
PIPE SIZE	A	B	C	D	E	F	G	H	J
1½"	1.93	0.44	1.71	1.44	2.25	5.00	3.50	6.00	4.50
1¼"	1.68	0.44	1.71	1.44	2.25	5.00	3.50	6.00	4.50

METRIC UNITS (mm)									
PIPE SIZE	A	B	C	D	E	F	G	H	J
1½"	49	11	43	37	57	127	89	152	114
1¼"	43	11	43	37	57	127	89	152	114