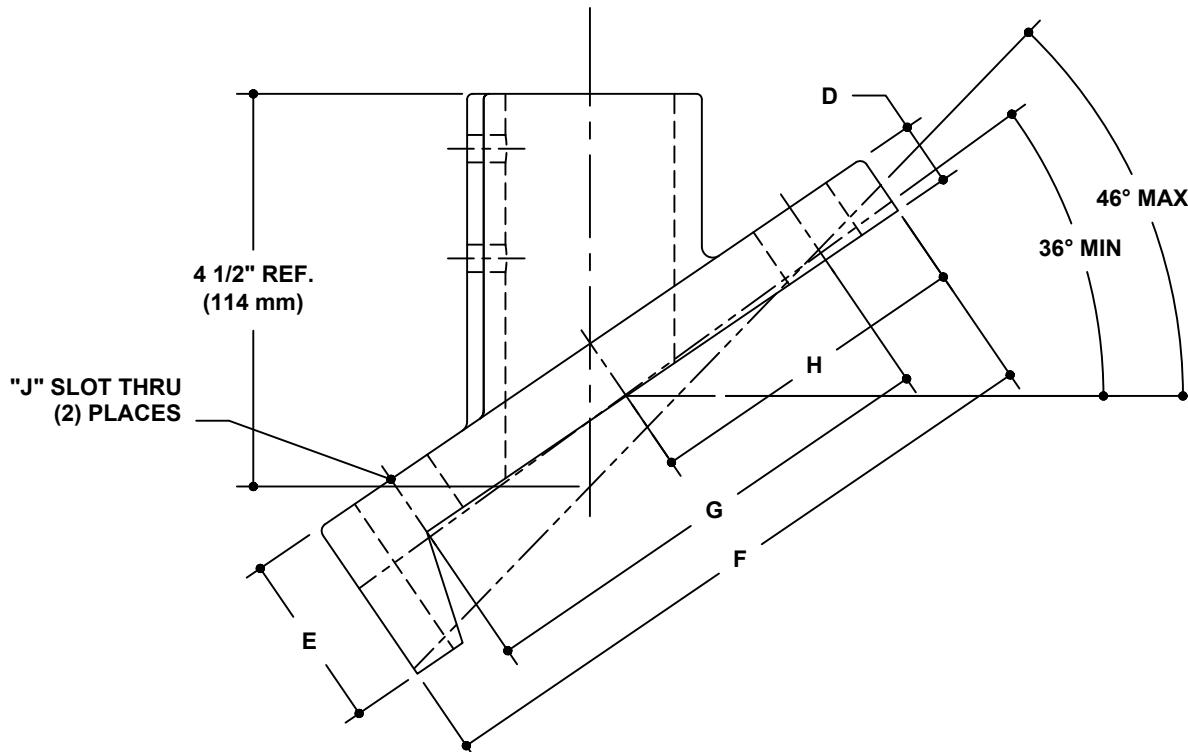
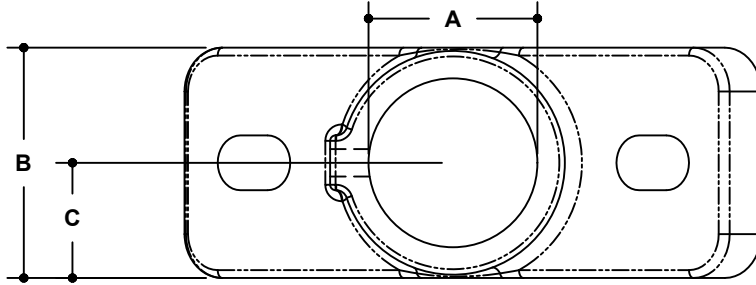


NOTE: DIMENSIONS LOCATED IN BOXES ARE COMMON
SETBACK DIMENSIONS FOR EACH FITTING



#46AF3 Angle Flange

SCALE: HALF

ENGLISH UNITS (Inches)									
PIPE SIZE	A	B	C	D	E	F	G	H	J
1½"	1.93	2.63	1.31	0.75	2.00	7.50	5.50	3.75	.63x1

METRIC UNITS (mm)									
PIPE SIZE	A	B	C	D	E	F	G	H	J
1½"	49	67	33	19	51	191	140	95	16x25