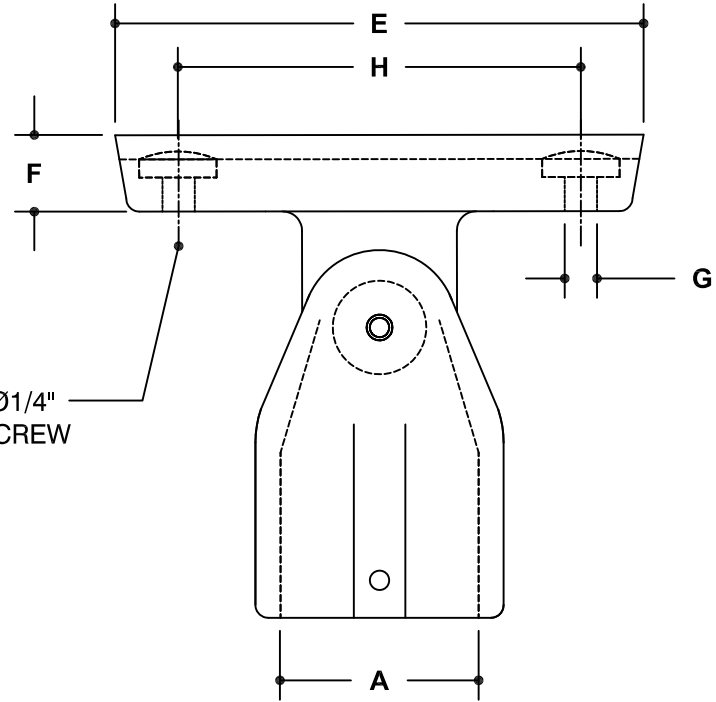
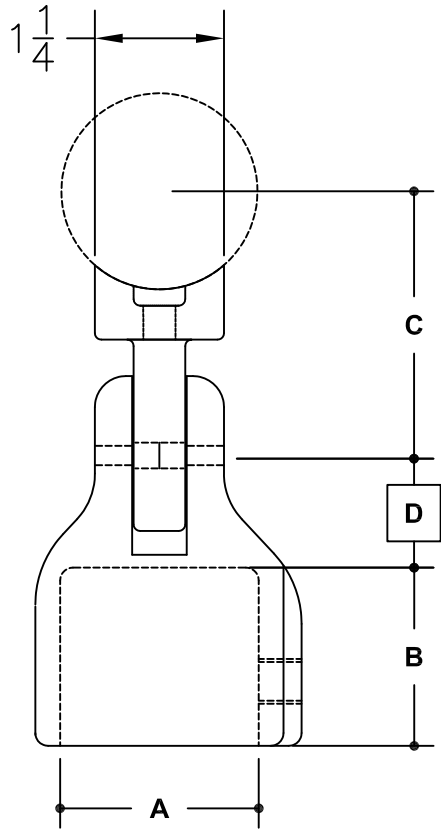


NOTE: DIMENSIONS LOCATED IN BOXES ARE COMMON
SETBACK DIMENSIONS FOR EACH FITTING



#151 Adjustable Speed Tee

SCALE: HALF

ENGLISH UNITS (Inches)								
PIPE SIZE	A	B	C	D	E	F	G	H
1½"	1.93	1.75	2.56	1.06	5.13	0.75	0.31	3.88

METRIC UNITS (mm)								
PIPE SIZE	A	B	C	D	E	F	G	H
1½"	49	45	65	27	130	19	8	99