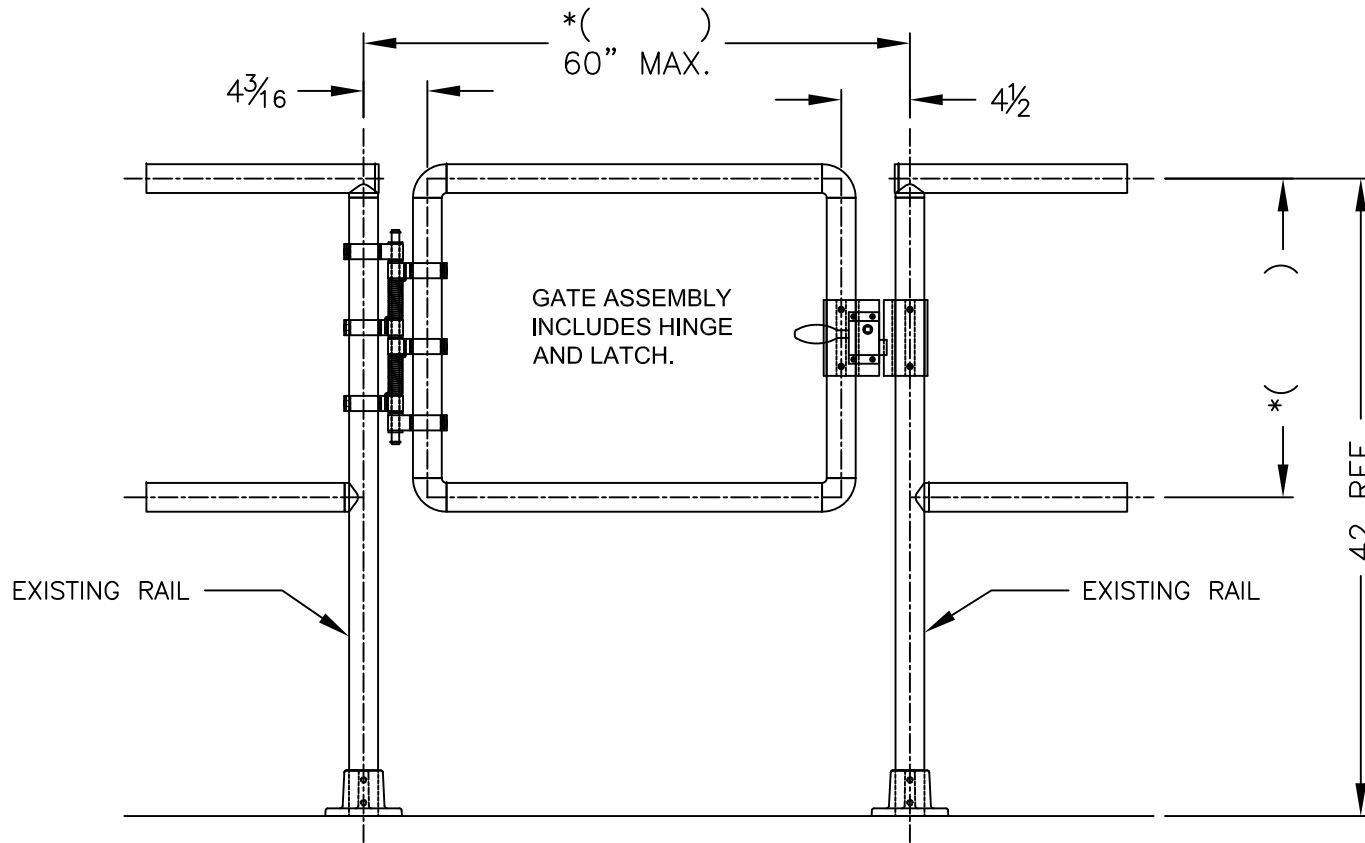


□ 1½" PIPE GATE #51216 (Ø1.90" REF.)

NOTES:

- 1: DIMENSIONS MARKED *() ARE TO BE SPECIFIED BY CUSTOMER.
- 2: GATE CAN BE FIELD ASSEMBLED TO BE LEFT OR RIGHT HAND SWING.
- 3: STANDARD GATE MATERIAL FINISH. PIPE IS CLEAR ANODIZED. FITTINGS ARE CLEAR ANODIZED WITH STAINLESS STEEL SETSCREWS. HINGE SPRINGS AND CAB LATCH ARE STAINLESS STEEL.



THIS DRAWING AND ALL THE INFORMATION THEREON IS THE PROPERTY OF THE HOLLANDER MFG. CO., IS CONFIDENTIAL AND MUST NOT BE MADE PUBLIC, NOR COPIED, NOR USED, TO THE DISADVANTAGE OF SAID HOLLANDER MFG. CO. AND IS SUBJECT TO RETURN ON DEMAND.
 COPYRIGHT 2014.
 HOLLANDER - MANUFACTURING CO.

NO.	REVISIONS	DATE	APPROVED
0	RELEASED FOR APPROVAL		

Hollander[®]
 STRUCTURAL ENGINEERING GROUP
 10285 WAYNE AVENUE
 CINCINNATI, OH 45215-6399
 PHONE: (800) 772-8800 FAX: (502) 772-8806
 WWW.HOLLANDER.COM

PROJECT
 INTERNA-RAIL
 GATE

CUSTOMER

DESCRIPTION
 INTERNA-RAIL
 SUBMITTAL AND
 APPROVAL DRAWINGS

DRAWN BY: GG	APPROVED BY: BW	DATE: 7-16-14
PROJECT NO:		SCALE: NTS
REVISIONS:		7928-S
See Notes		1 of 1
See Notes		

