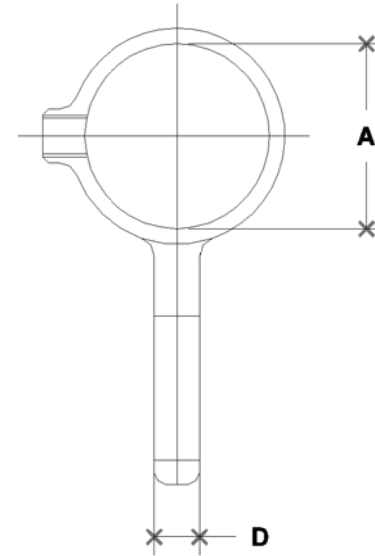
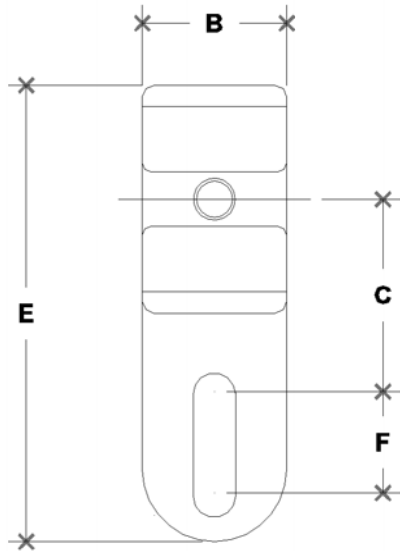


NOTE: DIMENSIONS LOCATED IN BOXES ARE COMMON
SETBACK DIMENSIONS FOR EACH FITTING



#17MA Extended Tab

SCALE: HALF

ENGLISH UNITS (Inches)							
PIPE SIZE	A	B	C	D	E	F	G
1½"	1.93	1.50	2.00	.470	4.75	1.06	-

METRIC UNITS (mm)							
PIPE SIZE	A	B	C	D	E	F	G
1½"	49.02	38.1	50.8	11.94	120.65	26.92	-