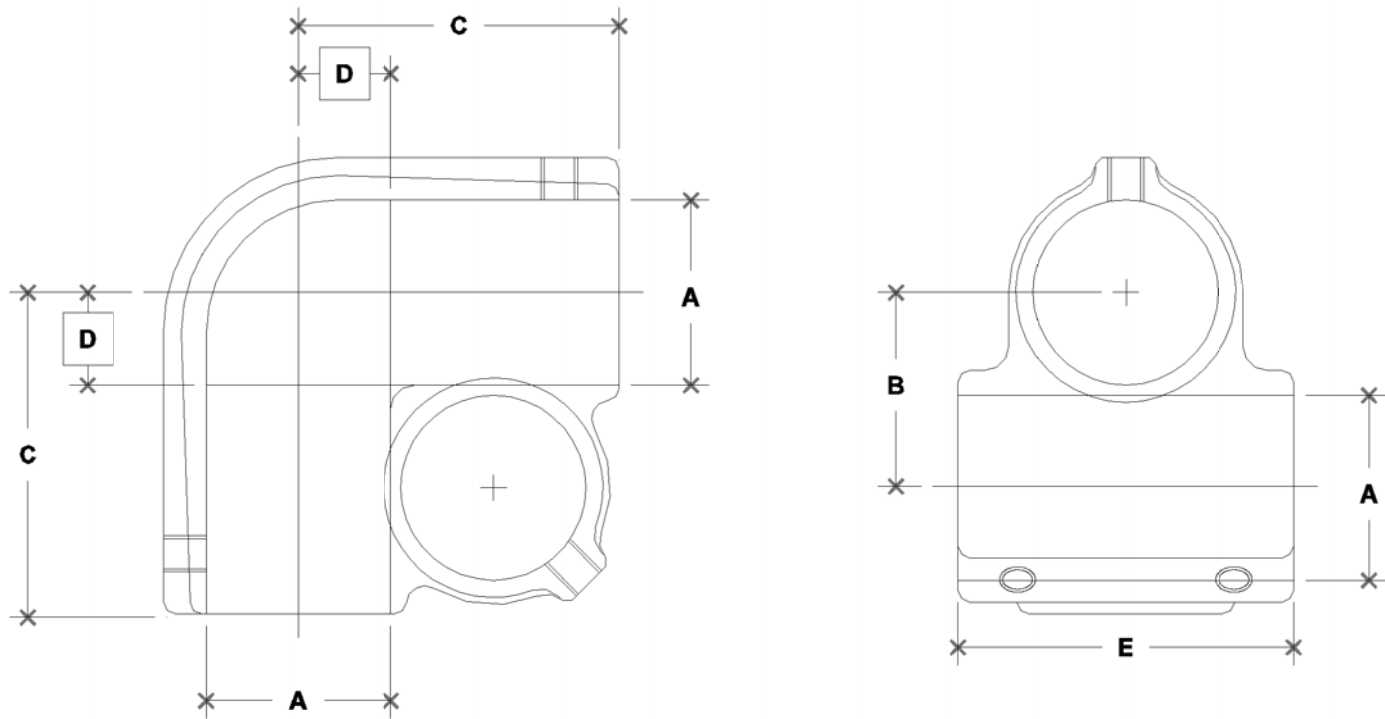


NOTE: DIMENSIONS LOCATED IN BOXES ARE COMMON
SETBACK DIMENSIONS FOR EACH FITTING



#20 Outside Corner

SCALE: HALF

ENGLISH UNITS (Inches)							
PIPE SIZE	A	B	C	D	E	F	G
2"	2.40	2.50	4.06	1.20	4.00		
1½"	1.93	2.03	3.34	0.97	3.50		
1¼"	1.68	1.78	2.56	0.84	3.50		
1"	1.33	1.44	2.44	0.67	3.50		
¾"	1.07	1.31	1.81	0.54	2.50		

METRIC UNITS (mm)							
PIPE SIZE	A	B	C	D	E	F	G
2"	61	64	103	30	102		
1½"	49	52	85	25	89		
1¼"	43	45	66	21	89		
1"	34	37	62	18	89		
¾"	27	33	46	14	89		